



COURIER™ 5000
Shipping Scales



Low-Profile Scales Ideal for General Shipping and Animal Weighing Applications

The Courier 5000 Series shipping scales feature a sturdy low-profile design with stainless steel top, making them tough enough for shipping applications, and easy to clean for small veterinary applications. Data is clearly legible on a large, bright 28 mm display, and UPS system communication protocol is included. Our proprietary Weight Alert™ mode will warn users if packages are too heavy, for example, to be sent by post or truck.

Unique Features:

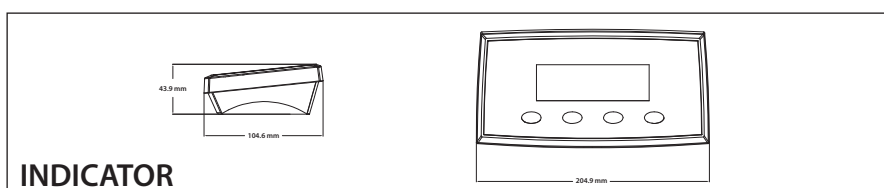
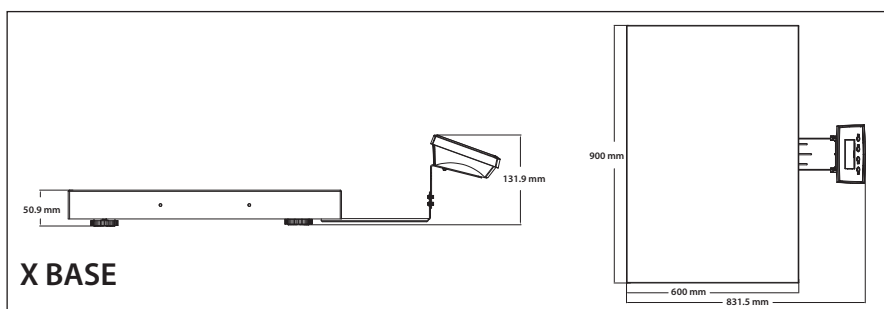
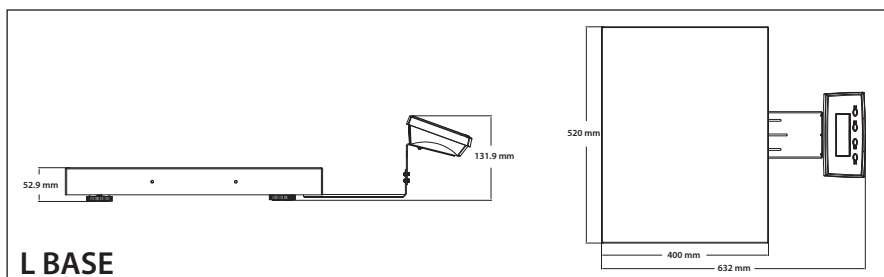
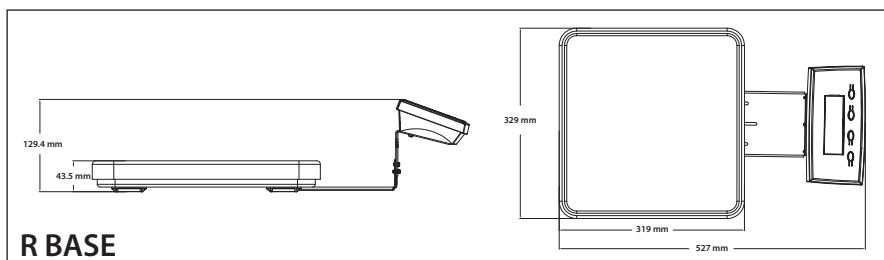
- Easy-to-use scales for general shipping use with painted steel base. Stainless steel pan holds up to daily use and is easy to keep sanitary. Adjustable display for mounting to adapt to your workspace.
- The Dynamic Weighing/Display Hold application is ideal for large boxes and packages as it retains weight data on the display - also ideal for animals in veterinary use.
- AC adapter power included. Simple USB type C for data and power connection – includes UPS software protocol string. Can also run using disposable battery power.

COURIER™ 5000 Shipping Scales

Specifications

Model	i-C52M6R	i-C52M30R	i-C52M50R	i-C52M50L	i-C52M100L	i-C52M200L	i-C52M200X
Capacity × Default Readability	6 kg x 0.002 kg 6,000 g x 2 g	30 kg x 0.01 kg 30,000 g x 10 g	50 kg x 0.02 kg 50,000 g x 20 g		100 kg x 0.05 kg	200 kg x 0.1 kg	
Maximum Displayed Resolution	1:3,000		1:2,500		1:2,000		
Weighing Units	kg, g, lb, oz, lb:oz (kg, lb, oz, lb:oz for models above 100 kg)						
Application Mode	Weighing, Dynamic Weighing/Display Hold, Totalization, Weight Alert™						
Display	28 mm digit height, 5-digit, 7-segment LCD display with white backlight						
Keyboard	4 mechanical function keys						
Construction	ABS Plastic Indicator Housing Painted steel base with stainless steel platform (adjustable feet for L and X bases)						
Cable Length	2 m (full extension)						
Stabilization Time	1 second						
Power	Dry cell battery :3 x AA (LR6) Batteries (not included) or AC Power adapter (power output: 5.0 VDC 1.0 A): 100-240VAC ~ 0.5A 50/60Hz or USB Cable (connected to PC or AC adapter) Battery life: 100 hours continuous use with backlight off						
Operating Temperature Range	-10°C to 40°C						
Safe Overload Capacity	150% of capacity						
Platform Dimensions (L x W x H)	329 x 319 x 43.5 mm			520 x 400 x 52.9 mm		900 x 600 x 50.9 mm	
Net Weight	4.1 kg			8.5 kg		17.4 kg	
Shipping Weight	4.8 kg			9.5 kg		19.2 kg	
Shipping Dimensions	395 x 385 x 155 mm			600 x 485 x 100 mm		985 x 680 x 105 mm	

Outline Dimensions



Compliance

- **Product Safety:** IEC/EN 61010-1; UL certified power supply
- **Electromagnetic Compatibility:** IEC/EN 61326-1 Class B, Basic environments; FCC Part 15 Class A; Canada ICES-003 Class A
- **Compliance Marks:** CE; RCM
- **Other:** WEEE, RoHS

Accessories

- Remote Column Kit 980 mm Painted Steel 30795819
- Remote Column Kit 330 mm Painted Steel 30800931
- Coiled Extension Cable 9m i-C52 i-C31 30809920
- Rubber Mat Kit Antiskid for X base 30548975

OHAUS Asia/Pacific Headquarters

7F, Block 33, 680 Guiping Road
Shanghai 200233
China

e-mail: APmarketing@ohaus.com
Tel: +86 21 64855408

With offices throughout
Europe, Asia, and
Latin America

* ISO 9001:2008

Registered Quality
Management System

